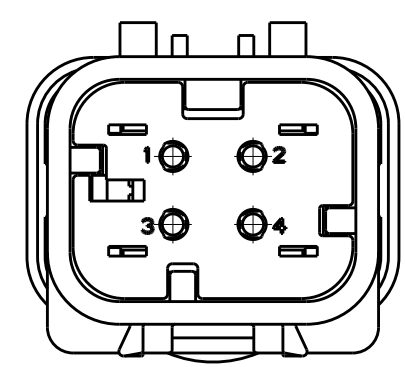
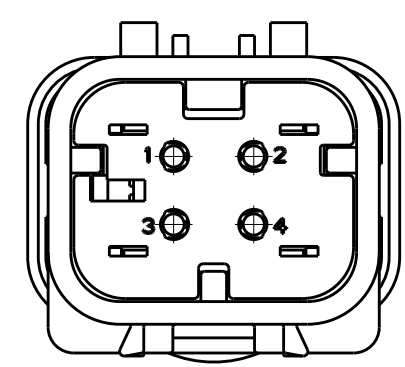


THIS DRAWING IS UNPUBLISHED  
RELEASED FOR PUBLICATION  
COPYRIGHT 20 BY - ALL RIGHTS RESERVED.

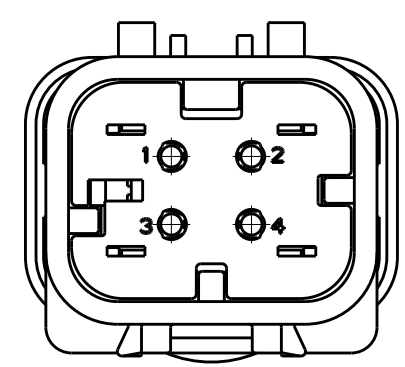
REVISIONS				
P	LTR	DESCRIPTION	DATE	APVD
	D	REVISED PER ECO-13-019168	05DEC2013	DR RB



776488-2  
SCALE 2:1

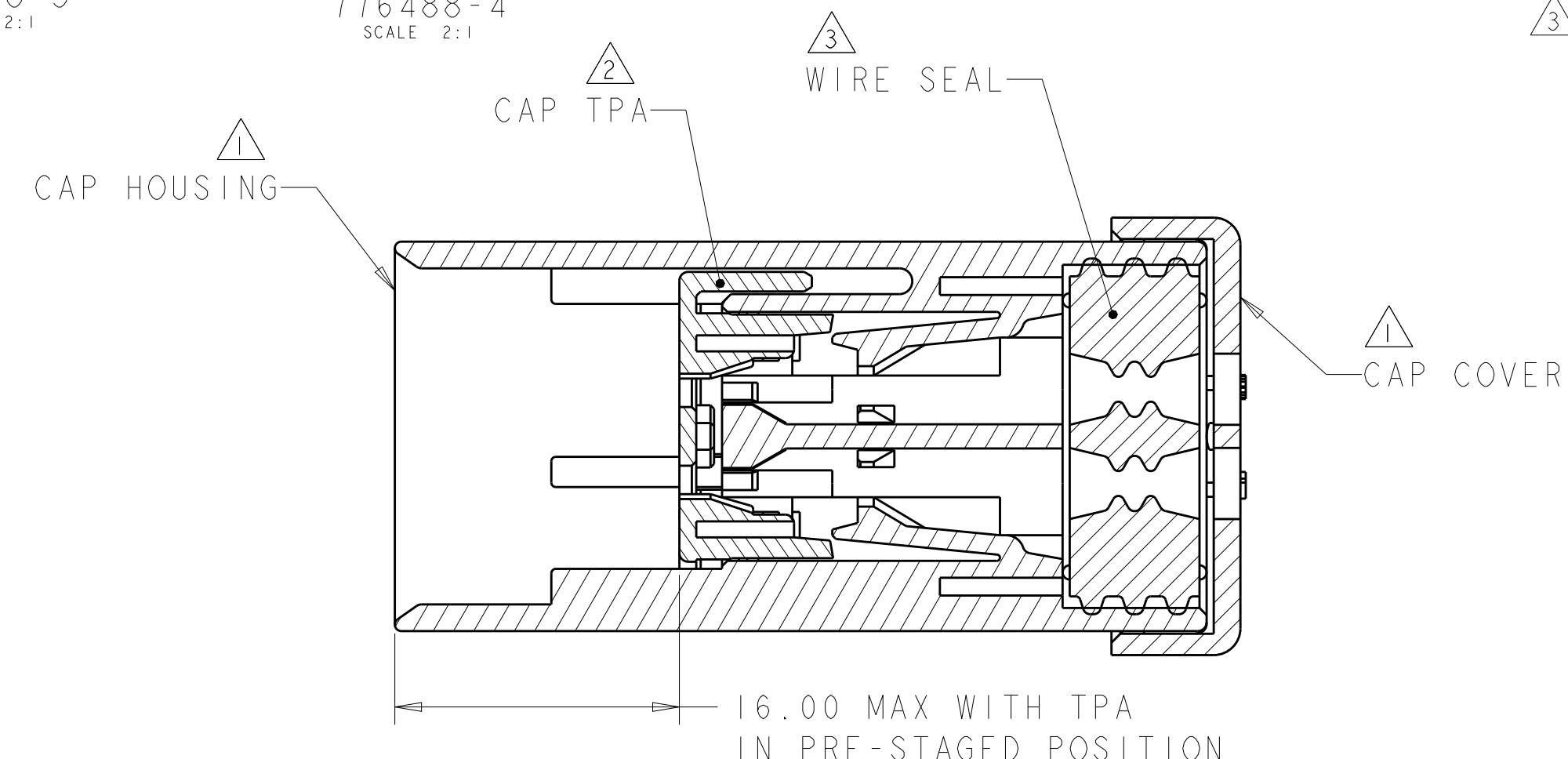


776488-3  
SCALE 2:1

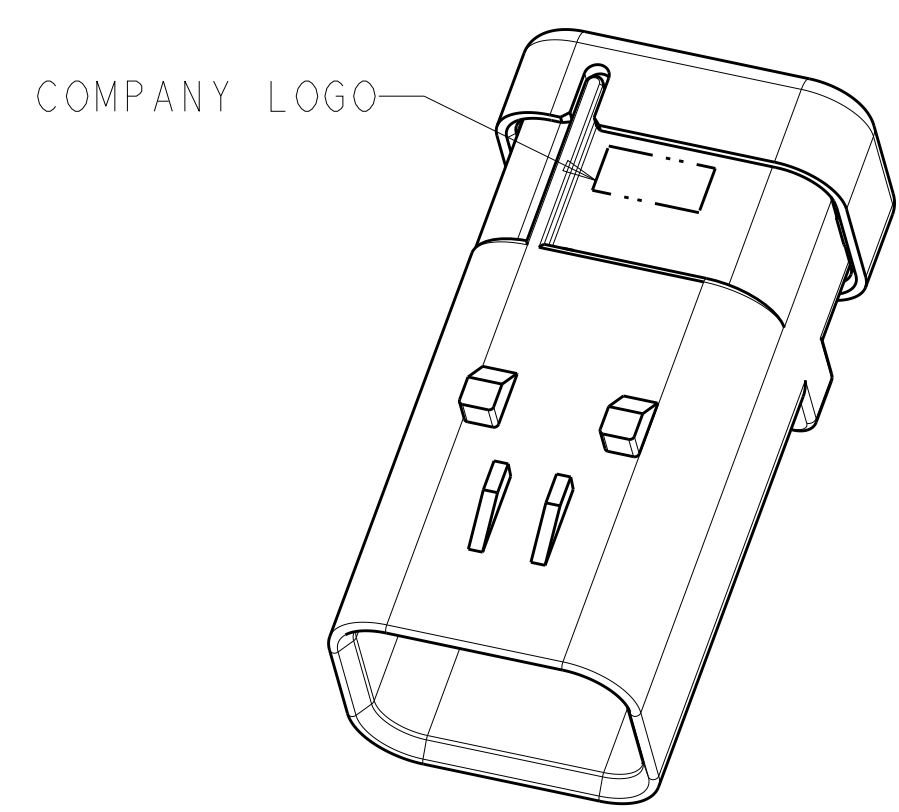


776488-4  
SCALE 2:1

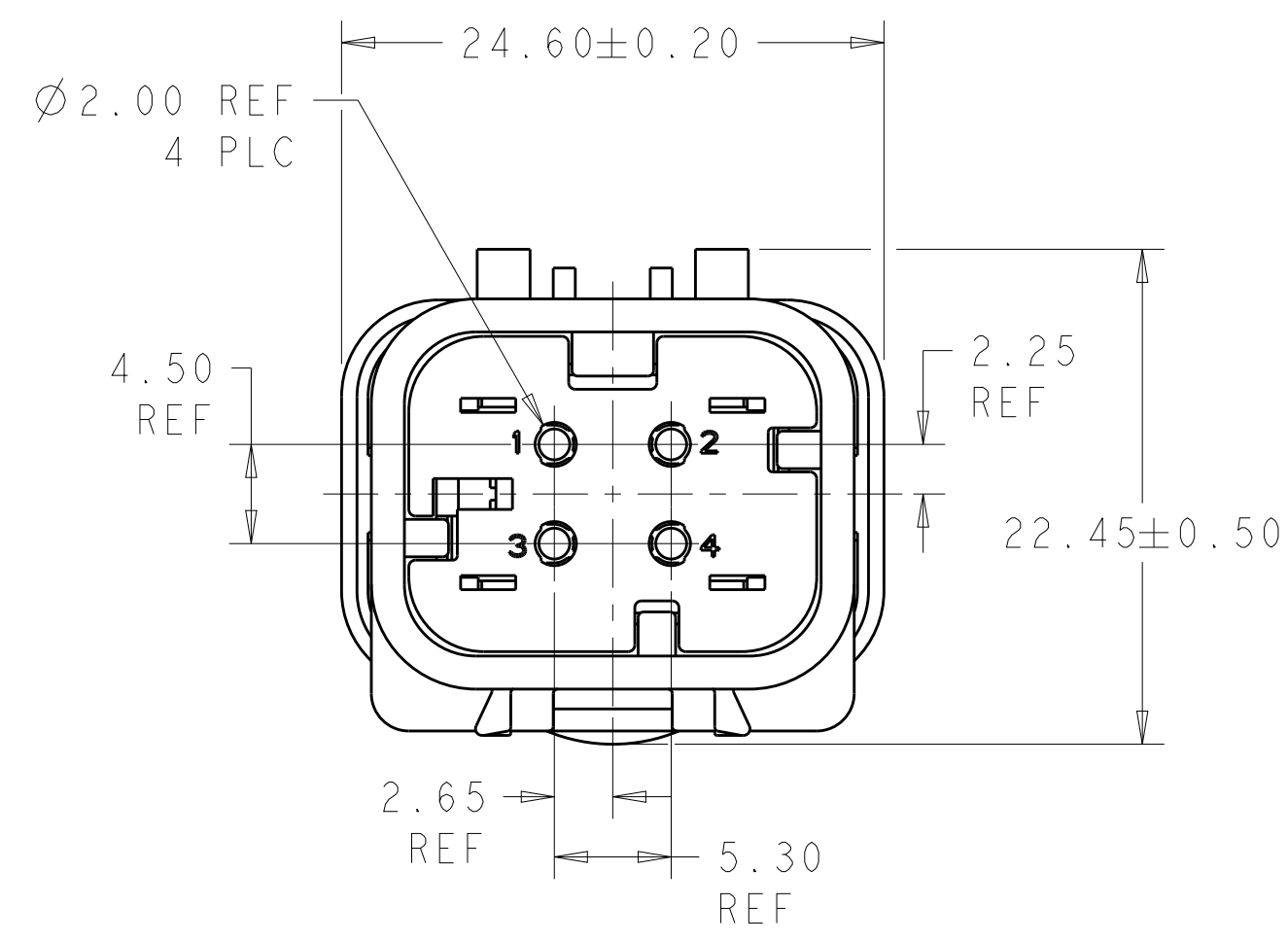
- ① MATERIAL: 15% GLASS FILLED THERMOPLASTIC  
COLOR: BLACK
- ② MATERIAL: 15% GLASS FILLED THERMOPLASTIC  
COLOR: (SEE TABLE)
- ③ MATERIAL: SILICONE  
COLOR: GREEN



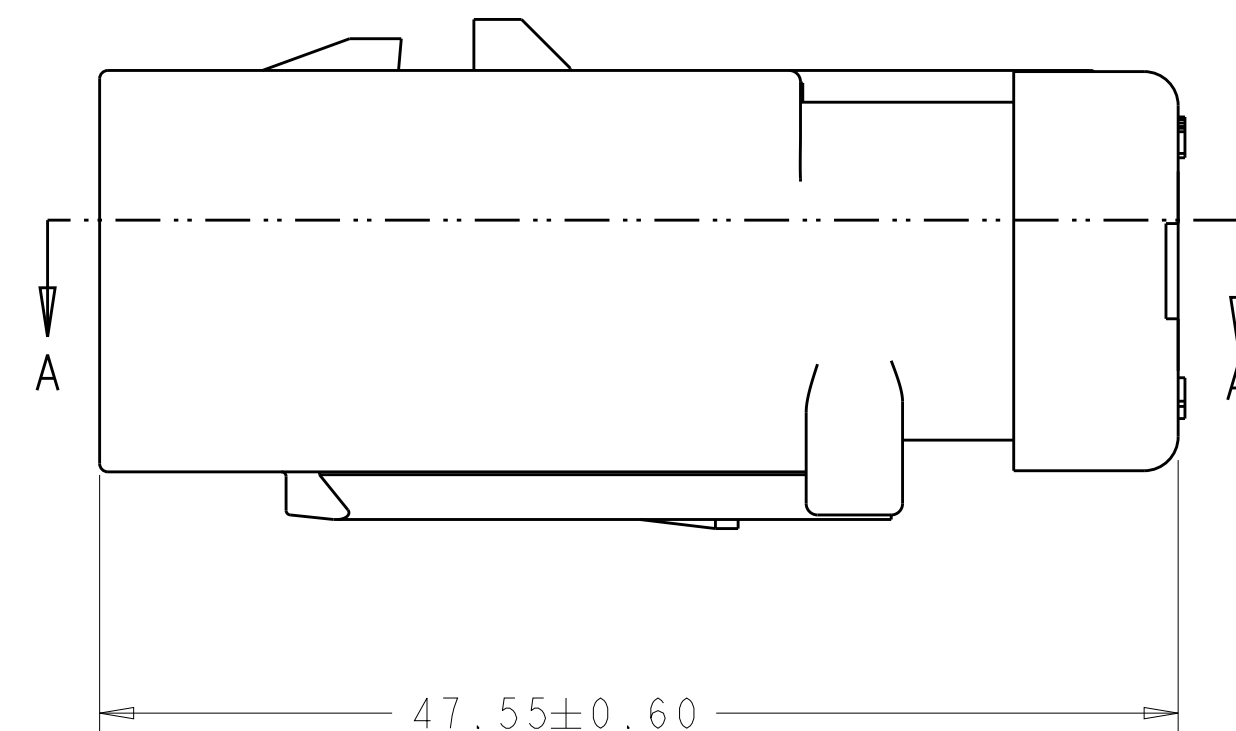
SECTION A-A



SCALE 2:1



776488-1 SHOWN



GREEN	776488-4
YELLOW	776488-3
GRAY	776488-2
RED	776488-1
TPA COLOR	PART NUMBER

THIS DRAWING IS A CONTROLLED DOCUMENT.

DIMENSIONS:	TOLERANCES UNLESS OTHERWISE SPECIFIED:	DWN W. HOELSCHER 16DEC02	TE Connectivity CAP ASSEMBLY, 4 POSITION, DUAL ROW, AMPSEAL 16
mm	0 PLC ±	CHK B. SIMPSON 18DEC02	
	1 PLC ±	APVD D. KLEIN 18DEC02	
	2 PLC ±	PRODUCT SPEC 108-2184	
	3 PLC ±	APPLICATION SPEC 114-13065	SIZE CAGE CODE DRAWING NO RESTRICTED TO
	4 PLC ±	WEIGHT 14	A200779 C-776488
MATERIAL	ANGLES ±	Customer Drawing	SCALE 3:1 SHEET OF REV D
	FINISH -		